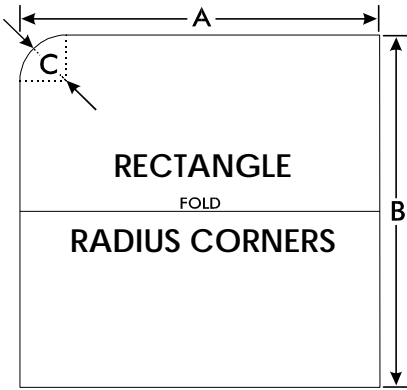


SPA COVER ORDER FORM

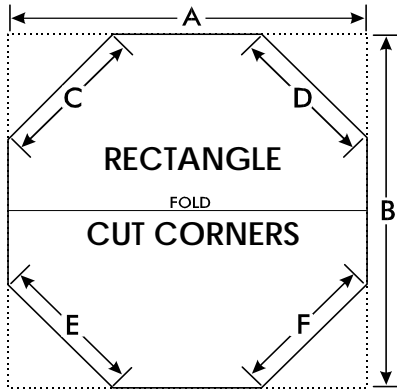


RECTANGLE / RADIUS CORNERS

A	WIDTH	Inches
B	LENGTH	Inches
RADIUS CORNER		YES () NO ()
C	RADIUS	Inches

TRUE OCTAGON

A	WIDTH	Inches
---	-------	--------

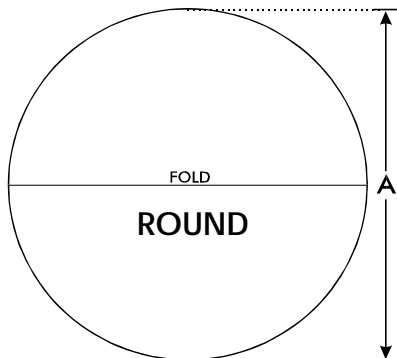


RECTANGLE / CUT CORNERS

A	WIDTH	Inches
B	LENGTH	Inches
C	CUT—YES ()	Inches
D	CUT—YES ()	Inches
E	CUT—YES ()	Inches
F	CUT—YES ()	Inches

ROUND

A	WIDTH	Inches
---	-------	--------



DEALER:		ORDERED BY:	
COLOR:		DATE:	
TIE DOWN STRAPS: YES () NO ()		SKIRT: YES () NO () SIZE: _____"	
SPA MANF.		SPA MODEL:	

I authorize H2Oco. Inc. to order, and I agree to purchase the cover specified above. I understand there is no return on special order covers and this order may not be canceled for any reason. The above specifications are accurate.

Dealer Signature: _____

----- H2Oco. Information Below This Line -----

Salesman: _____ Date Entered: _____ Order #: _____ Part #: _____