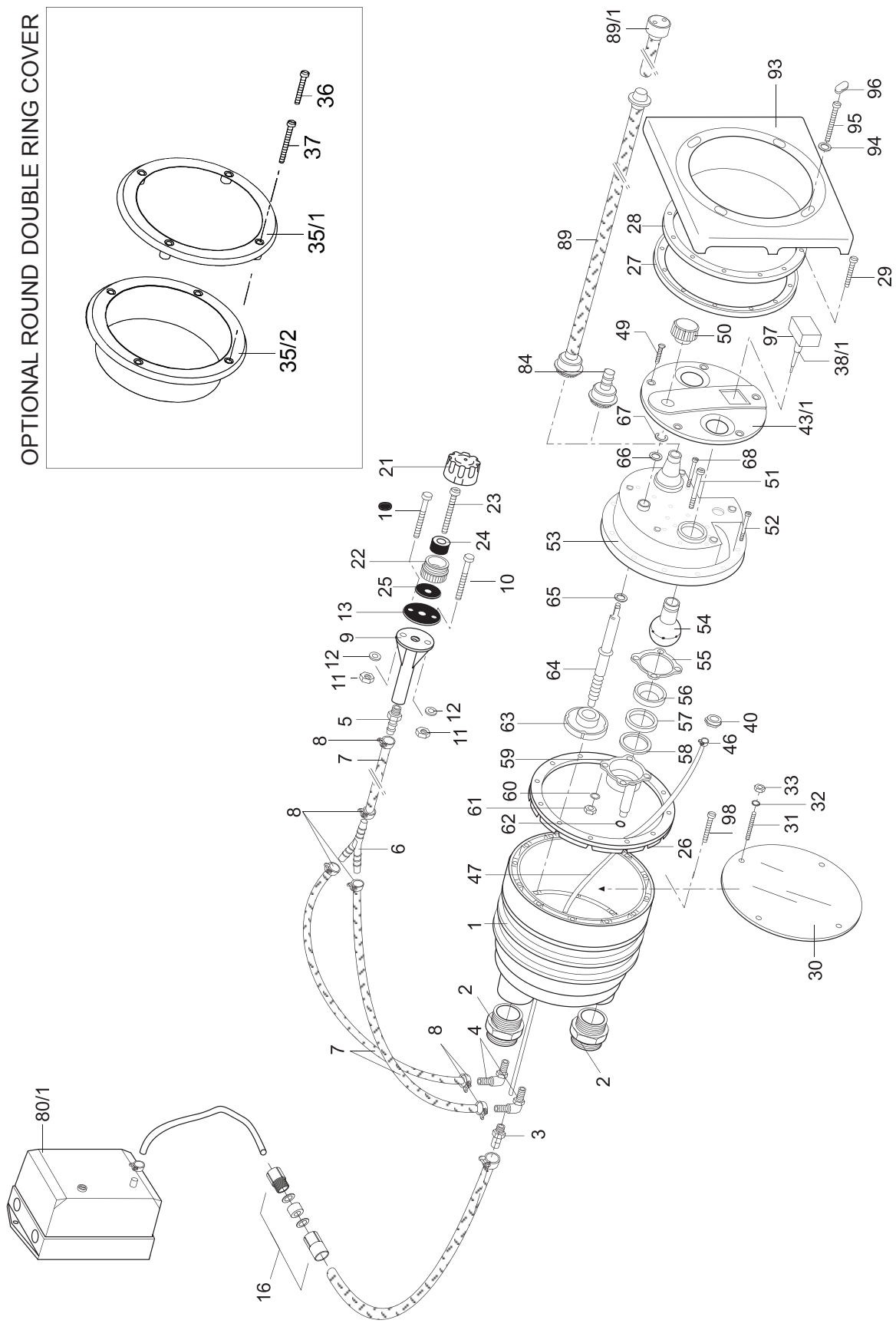




PART NUMBER	DRAWING NUMBER	QTY	DESCRIPTION	RETAIL
2301003000	(1-4)	1	JET HOUSING WITH ADAPTORS	1,120.20
5862811080	2	2	ADAPTOR - MALE, HOUSING, PVC 2-1/2" x 110mm/4"	38.30
5862711000	NOT SHOWN	2	COUPLING - HOUSING, PVC 110mm/4"	38.30
2991400044	3	1	ADAPTOR - MALE, HOUSING, PVC 1/2"	1.10
2301001004	4	2	90° HOSE SOCKET - AIR REGULATOR, PLASTIC 1/4"	4.10
2301004000	(5-13)	1	HOLDER WITH HOSE SUBASSEMBLY	64.80
2301001005	5	1	FITTING - HOSE, AIR REGULATOR, PLASTIC 1/4"	3.70
2301001006	6	1	Y-SOCKET - AIR REGULATOR	4.30
2301001007	7	1	HOSE - AIR REGULATOR 8 x 3mm (1.4 METERS)	5.90
2301001008	8	6	CLAMP - HOSE, AIR REGULATOR 14/9 SS A4	4.00
2301001009	9	1	HOLDER - AIR REGULATOR	22.40
5879630630	10	2	BOLT - AIR HOLDER, SLOT/PAN M6 x 30mm SS	2.30
5879340600	11	2	NUT - AIR HOLDER, M6, A2	0.80
5879021060	12	2	WASHER - AIR HOLDER, M6 A4	0.50
2301001013	13	1	GASKET - AIR HOLDER 60 x 11 x 2mm	1.50
5882831000	16	1	AIR TUBING SEAL ASSEMBLY	4.10
2301002000	(21-25)	1	AIR REGULATOR (SUBASSEMBLY COMPLETE)	42.50
2301002021	21	1	TOP PART - AIR REGULATOR	11.40
2301002022	22	1	BOTTOM PART - AIR REGULATOR	8.10
2301002023	23	1	BOLT W/HOLE - AIR REGULATOR, BRASS M10 x 80	17.40
2301002024	24	1	RING - HOSE, AIR REGULATOR 16 x 30 x 18mm	3.40
2301002025	25	1	GASKET - AIR REGULATOR 42 x 11 x 2mm	2.50
2301000026	26	1	GASKET WITH KNOBS - JET HOUSING	77.50
2301000027	27	1	GASKET - CLAMPING RING	75.60
2301000028	28	1	RING - CLAMPING	84.40
5879850830	29	12	BOLT - CLAMPING RING, PHILLIPS/BARREL M8 x 30 A4	3.00
2301000030	30	1	COVER - GUNITE	45.10
5805510880	31	4	STUD - GUNITE COVER, ALL THREAD, ZINC M8 x 80	2.80
5809021080	32	4	WASHER - GUNITE COVER, ZINC M8	0.50
5879340800	33	4	NUT - STUD, GUNITE COVER M8 A2	0.90
2302001300K	38/1	1	PNEUMATIC BUTTON (WHITE)	87.70
2302001140	40	1	NUT - PNEUMATIC BUTTON, PLASTIC	2.50
2302001044	43/1	1	COVER - NOZZLE	28.60
2302001046	46	1	CLAMP - HOSE, PNEUMATIC BUTTON 8.7mm	5.90
2302001047	47	10 M	AIR TUBE 4 x 1.5mm (PRICED PER METER)	1.30
5879834822	49	5	TAPPING SCREW - NOZZLE COVER, PHIL. 4.8 x 22 MM	0.70
2302002050	50	1	VOLUME CONTROL KNOB	18.60
5870840893	51	10	BOLT - NOZZLE HOUSING, SLOT/BAR M8 x 130 A2	15.00
5879850830	52	12	BOLT - NOZZLE HOUSING, PH/BAR M8 x 30 A4	3.00
2302002000	(53-62/68)	1	HOUSING - NOZZLE, COMPLETE	689.40





PART NUMBER	DRAWING NUMBER	QTY	DESCRIPTION	RETAIL
2302002053	53	1	HOUSING - NOZZLE	415.80
2302002954	54	2	NOZZLE - 40mm	72.00
2302002060	55	2	IT GASKET - TENSION CUP 103 x 81.5 x .6mm	6.10
2302002056	56	2	SEAT - NOZZLE	5.60
2302002057	57	2	SPACER - NOZZLE 6.2mm	4.80
2302002058	58	2	SPACER - NOZZLE 1mm	1.30
2302002059	59	2	TENSION CUP - NOZZLE	36.60
5871270600	60	8	WASHER - LOCK TENSION CUP M6 A2	0.50
5879340600	61	8	NUT-TENSION CUP M6 A2	0.80
2920141240	62	2	O-RING - TENSION CUP 11 x 2.5mm	1.10
2302002063	63	1	VOLUME CONTROL DISC	31.00
2302002964	64	1	CONTROL SPINDLE	30.00
2302002065	65	2	WASHER - CONTROL SPINDLE, 23 x 16.2 x 1.5mm	1.70
2302002067	67	1	RETAINER - SHAFT, CONTROL SPINDLE	1.50
5870840625	68	8	BOLT - TENSION CUP, PHILLIPS M6 x 25 A2	1.40
2920280718	80/1	1	CONTROL BOX BJC-7-GFCI+CP	689.00
2300022000	84	1	CAP - NOZZLE, CLOSE OFF	55.50
2300003000	89	1	MASSAGE HOSE 5FT. WITH PULSATOR	149.00
2300003006	89	1	MASSAGE HOSE 15FT. WITH PULSATOR	231.80
2302005236	93	1	COVER - RECTANGULAR	75.50
2991000062	94	4	WASHER - RECTANGULAR COVER M8 A2	0.60
5879860820	95	4	BOLT - RECTANGULAR COVER, PHILLIPS M8 x 20mm	2.30
5879860880	95/1	4	BOLT - RECTANGULAR COVER, PHILLIPS M8 x 80mm	4.20
2302005237	96	4	PLUG - RECTANGULAR COVER	2.10
2302001301	97	1	COVER - BUTTON	15.30
5879850830	98	2	BOLT - JET HOUSING, PHILLIPS/ PAN M8 x 30mm A4	3.00
OPTIONAL ROUND STYLE, DOUBLE RING, ANTI-ENTRAPMENT COVER FOR CURVED POOL WALLS				
2302005135	35/1	1	ROUND COVER WITH SPACERS	139.50
2302005235	35/2	1	ROUND RING COVER	97.50
5879650845	36	4	BOLT - ROUND COVER, PHILLIPS M8 x 45mm	8.40
5879658100	37	4	BOLT - ROUND COVER, PHILLIPS M8 x 100mm	18.80
2302005002	NOT SHOWN	1	KIT - ROUND RING COVER	199.10
PARTS LISTED BELOW ARE UNIQUE TO THE BADUJET SHIPPED PRIOR TO OCTOBER, 1994				
2302001900	38/2	1	PNEUMATIC BUTTON (BLACK) NOT SHOWN	79.20
2302001043	43	1	COVER - NOZZLE	57.50
2302002964	64/1	1	CONTROL SPINDLE	30.00
5879724816	49/1	5	TAPPING SCREW - NOZZLE COVER 4.8 x 16 A2	0.70
PARTS LISTED BELOW ARE UNIQUE TO THE BADUJET SHIPPED PRIOR TO SEPTEMBER, 1988				
2301002200	38	1	TOP - PNEUMATIC BUTTON	10.20
2301002022	22	1	BOTTOM - PNEUMATIC BUTTON	8.10
2302001040	40	1	MEMBRANE-E - PNEUMATIC BUTTON	16.90
2302001039	39	1	RING-E - PNEUMATIC BUTTON	1.30
2302001041	41	1	BOLT W/HOLE - PNEUMATIC BUTTON, BRASS M10	15.60