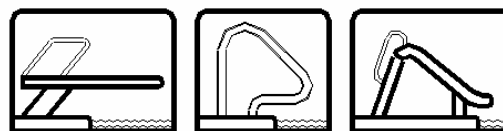


NOTES

HANDY-LIFT OWNER'S MANUAL

ASSEMBLY • INSTALLATION • USE & CARE INSTRUCTIONS
MANUALLY OPERATED POOL LIFT

S.R. Smith LLC.



THE WORLD'S LARGEST MANUFACTURER
OF DIVING BOARDS, STANDS, SLIDES &
STAINLESS STEEL RAIL PRODUCTS

“Quality that is BUILT-IN, not ADDED-ON”

- PLEASE READ CAREFULLY -
MANDATORY: LEAVE THIS MANUAL WITH LIFT OWNER

! CAUTION !

PROPER INSTALLATION CANNOT BE OVERSTRESSED,
AS AN IMPROPER INSTALLATION VOIDS S.R. SMITH'S WARRANTY
AND MAY AFFECT THE SAFETY OF THE USER

ATTENTION LIFT OWNER:
THIS MANUAL MUST REMAIN WITH LIFT AND NEW OWNERS

CORPORATE HEADQUARTERS
WESTERN SALES AND MANUFACTURING PLANT
P.O. Box 400 • 1017 SW Berg Parkway
Canby, Oregon 97013
Phone (503) 266-2231 • FAX (503) 266-4334

EASTERN SALES AND MANUFACTURING PLANT
105 Challenger Dr., Portland, Tennessee 37148
Phone (615) 325-0770 • FAX (615) 325-0775

INTRODUCTION

All Handy-Lifts were inspected prior to shipment from the factory. It is critical that all parts be carefully inspected by the installer prior to installation to ensure that no damage occurred in transit and that a damaged part is not used in any lift installation. Proper installation cannot be overstressed, as an improper installation voids S.R. Smith's warranty and may affect the safety of the user. S.R. Smith, LLC cannot guarantee customers concrete.

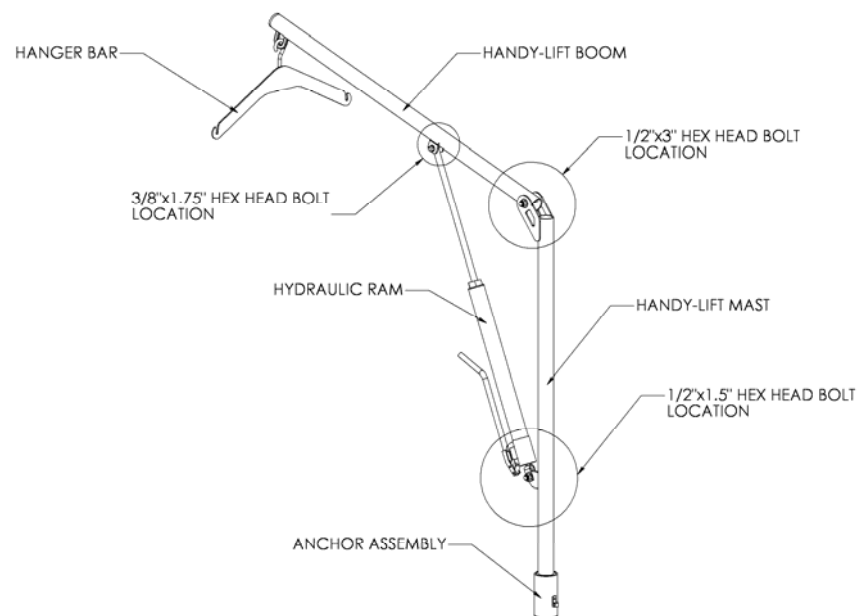
* * IMPORTANT * *

The installer must be sure that the Handy-Lift Owner's Manual is provided to the consumer. The lift owner must carefully read and follow these instructions. If original owner moves, the Owner's Manual must remain with the lift and brought to the attention of the new owner.

PARTS LIST

<u>#</u>	<u>DESCRIPTION</u>	<u>QUANTITY</u>
1	1/2" x 3" Hex Head Bolt, S.S.	1 ea.
2	1/2" Nylon Locking Nut	2 ea.
3	1/2" Washer S.S.	4 ea.
4	1/2" x 1-1/2" Hex Head Bolt, S.S.	1 ea.
5	3/8" x 1-3/4" Hex Head Bolt, S.S.	1 ea.
6	3/8" Washer S.S.	2 ea.
7	3/8" Nylon Locking Nut	1 ea.
8	Handy-Lift Boom	1 ea.
9	Handy-Lift Mast	1 ea.
10	Hydraulic Ram	1 ea.
11	Hanger Bar	1 ea.
12	Mesh Seat Sling	1 ea.
13	Set of S.S. Chains	1 ea.
14	S.S. Anchor w/ grounding lug	1 ea.
15	S.S. Anchor Cap	1 ea.
16	Handy-Lift Owner's Manual*	1 ea.

* Additional copies of the instructions are available upon request



ASSEMBLY INSTRUCTIONS

1. Remove all the contents of the Handy-Lift and place on a surface that will not scratch the lift.
2. Connect the boom to the mast with the 1/2"x3" hex head bolt, 2-washers, and the 1/2" nylon locking nut. **FIG. 1**

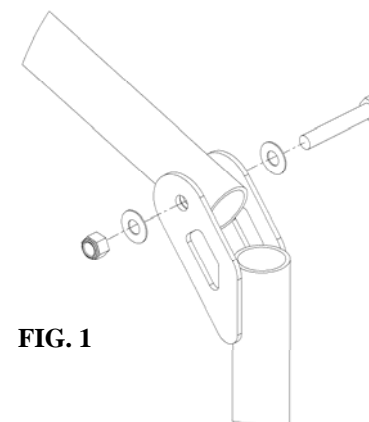


FIG. 1

3. Connect the upper end of the hydraulic ram to the boom with one 3/8"x1-3/4" hex head bolt, two washers, and a 3/8" nylon locking nut. **FIG. 2**
4. Connect the lower end of the hydraulic ram to the Handy-Lift mast with one 1/2"x1-1/2" hex head bolt, two washers, and a nylon locking nut. **FIG. 3**

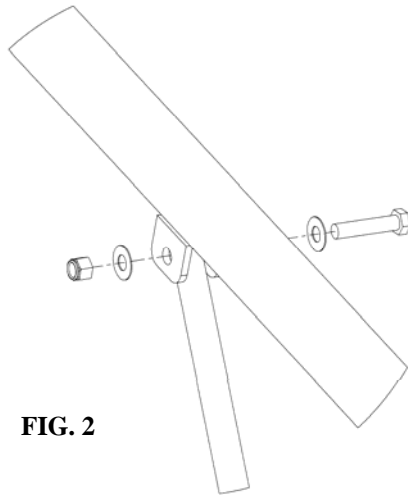


FIG. 2

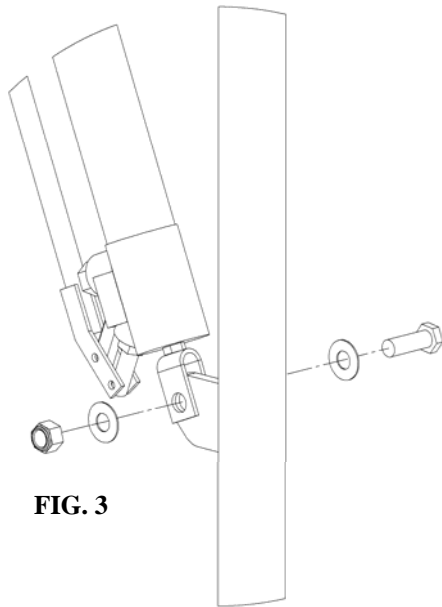


FIG. 3

5. Install lift into anchor socket installed in the pool deck. Check to ensure easy rotation of lift in nylon anchor sleeve.

HANDY-LIFT ANCHOR INSTALLATION

The handy-lift anchor can be installed in an existing pool deck or set when pouring a new concrete deck.

1. The setback for the anchor must be no more than 20 inches from the pool wall and at least 6" from any control joint or edge of concrete slab. **FIG. 4**
2. Core drill at least a 4-inch diameter hole at the chosen location for the lift.
3. Properly ground the anchor socket using the attached grounding lug and the appropriate grounding wire per local codes.
4. With the anchor completely checked for level and plumb in the selected position, pour hydraulic cement or high strength epoxy into the hole making sure there are no void spaces.
5. Let cement/grout cure for 24 hours (or minimum manufacture's recommendations) before using lift.

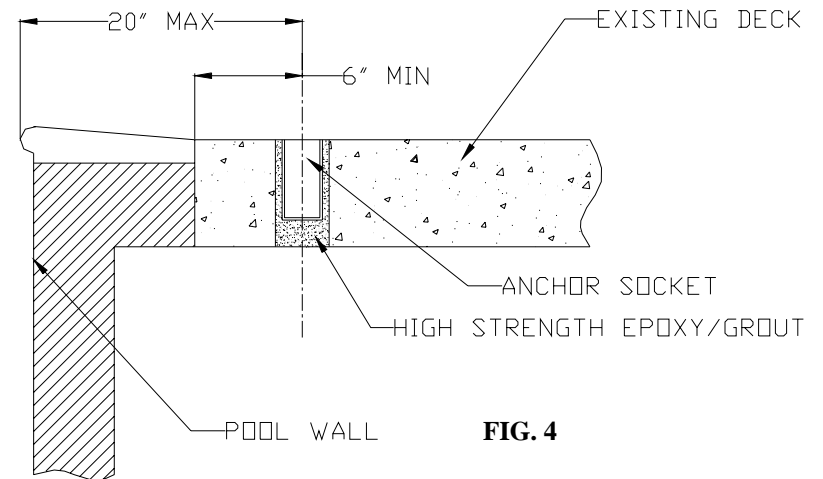


FIG. 4

OPERATING INSTRUCTIONS

- ALWAYS CHECK ALL NUTS & BOLTS FOR TIGHTNESS BEFORE EACH USE -

1. All operators should be familiar with all lift components and their intended uses. Operators should also be comfortable with all lifting procedures before attempting to lift a handicap person.
2. Place bottom of the mast into the anchor socket.
3. Attach hanger bar to the end of the boom.
4. Lock brakes on the wheelchair.
5. With occupant facing the operator, place the mesh seat sling under the seated occupant.
6. Attach the chain to the mesh sling and the overhead hanger bar. There should not be any slack in the chain at this time.
7. Make sure all chain connections are secure and the mesh seat sling is level on each side.
8. Raise the occupant by pumping the hydraulic ram handle until the desired height is achieved. The occupant should just clear the wheelchair.
9. Rotate the lift so that the occupant is above the pool, keeping one hand on the mast and one hand on the occupant to stabilize them.
10. Lower the occupant into the water by pressing the handle towards the ram until it depresses the release pin. The hydraulic ram automatically controls the rate of decent for safety and controllability.
11. This procedure is repeated to remove an occupant from the water.
12. When the lift is not in use, remove the sling, hanger bar and mast from the anchor socket and replace the protective anchor cap.

ELECTRICAL BONDING

A grounding lug is provided on the Handy-Lift anchor socket for easy electrical bonding. To prevent corrosion, S.R. Smith recommends that the anchor be grounded in accordance with all local codes and government regulations.

MAINTENANCE OF LIFT

1. Periodically inspect the Handy-Lift to assure there are no worn parts and that all bolts and nuts are tight.
2. Inspect the hydraulic ram for any leaks or corrosion.
3. All stainless steel parts require periodic maintenance. Polishing with a cotton cloth and a Windex-type product maintains the finish and restores luster.
4. CLEANING INSTRUCTIONS: Use non-abrasive soap and water. Avoid harsh chemicals and disinfectants. Always read the label instructions on any cleaner carefully before applying it to a surface.
5. The OPERATING INSTRUCTIONS LABEL shall be maintained on the lift. New labels are available upon request.